

NEW

EASY ONE

FOR RADIOMETAL LABELLING



- Easy to use & cost-effective
- Compatible with all Gallium generators
- Wide choice of tracers labelled with ^{68}Ga , ^{177}Lu , etc
- Ultra compact
- Ready-to-use consumables
- Automatic traceability of consumables
- In-line filter integrity test
- Radioprotection solutions available

FOCUSED ON THE ESSENTIALS

EASYONE is currently the simplest synthesizer to operate in routine productions of tracers labelled with radiometals.

Ready-to-use consumables and predefined synthesis process ensure quality and reproducibility of each production with constant yields. All consumables are manufactured in compliance with applicable standards.

COST-EFFECTIVE SOLUTION

EASYONE's quick set-up of affordable consumables will save technologist's time. Its short and efficient synthesis maximizes yields.

COMPATIBLE WITH ALL GENERATORS

EASYONE can be associated with any commercial ^{68}Ga generator : IRE-Elit, E&Z, iThemba, ITG, Pars Isotopes.

A compatibility set allows easy connexion of each generator model to Easyone.



EASY SETUP

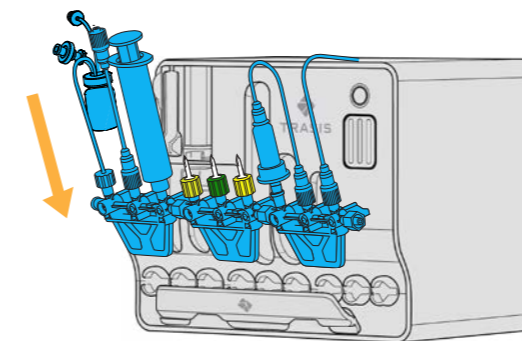
User-friendly slip & start cassettes and reagent kits with color-coded containers allow a fast set-up. Cassettes are supplied ready to use in sealed pouches.

RFID label enable the automatic traceability of the consumables and the automatic selection of the corresponding synthesis sequence.

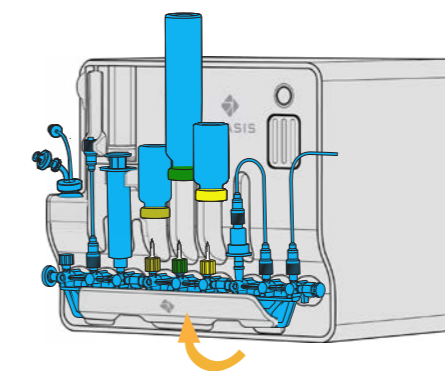


SLIP & START CASSETTE SYSTEM

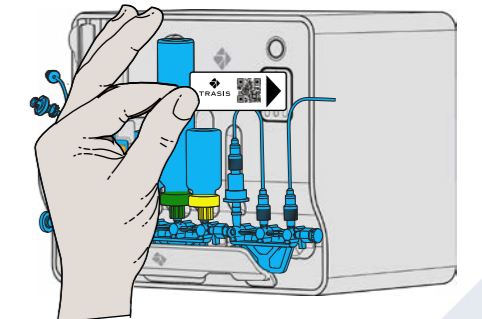
Take the cassette for the intended production (^{68}Ga PSMA for example), drop it in the loading tray.



Tilt up the cassette and snap it in place. It automatically locks. Plug the colored coded vials on the matching positions.



Insert the RFID labels in the slots. EASYONE is ready to start !



PROCESSES & PERFORMANCE

A wide range of synthesis processes comes along with the module. Each of them is fully automated from generator elution- when relevant- to transfer of the radio-labelled tracer into a vial. The process starts with a self-check of the equipment and the cassette. It ends with a rinsing cycle that drains most of residual activity to a waste vial, allowing an instant replacement of the cassette. EASYONE is immediately available for the next production of another tracer.

EASYONE allows complexation reactions with most radiometals. The table below only shows the most common tracers. As usual at Trasis, the yields are non decay corrected (Ndc), which truly represent the expected output.

Isotope	Molecules*	Setup time	Synthesis time	Yield Ndc
⁶⁸ Ga	⁶⁸ Ga DOTA NOC	1 min	12 min	> 80%
	⁶⁸ Ga DOTA TOC			
	⁶⁸ Ga DOTA TATE			
	⁶⁸ Ga DOTA PSMA 617			
⁶⁸ Ga HBED PSMA 11				
¹⁷⁷ Lu	¹⁷⁷ Lu- peptides		30 min	> 99%

* Solutions for other molecules are also available

STERILIZING FILTER INTEGRITY TEST

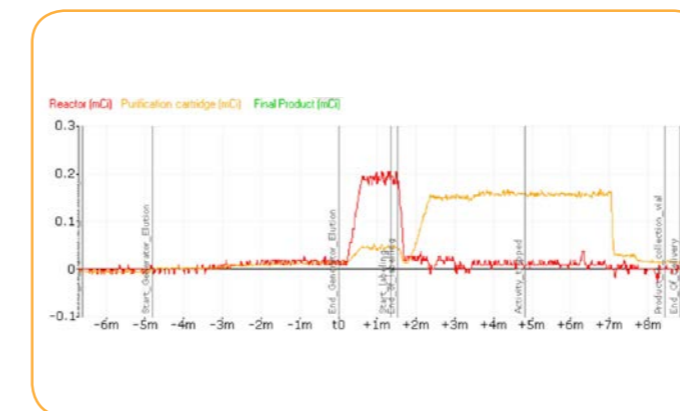
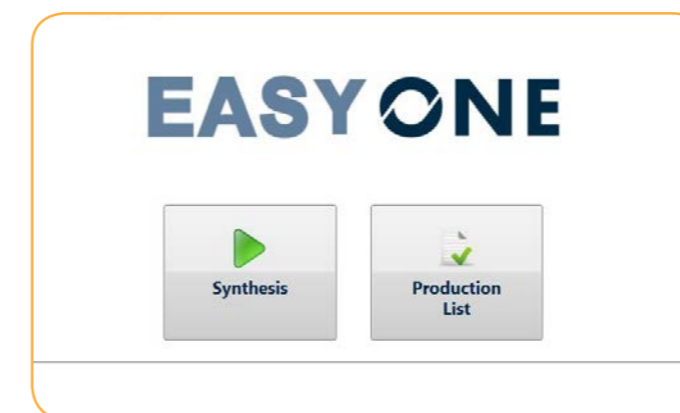
A sterilizing filter integrity test is automatically performed at the end of the synthesis. The filter is left in place during the test.

Thus, no operator intervention is required.

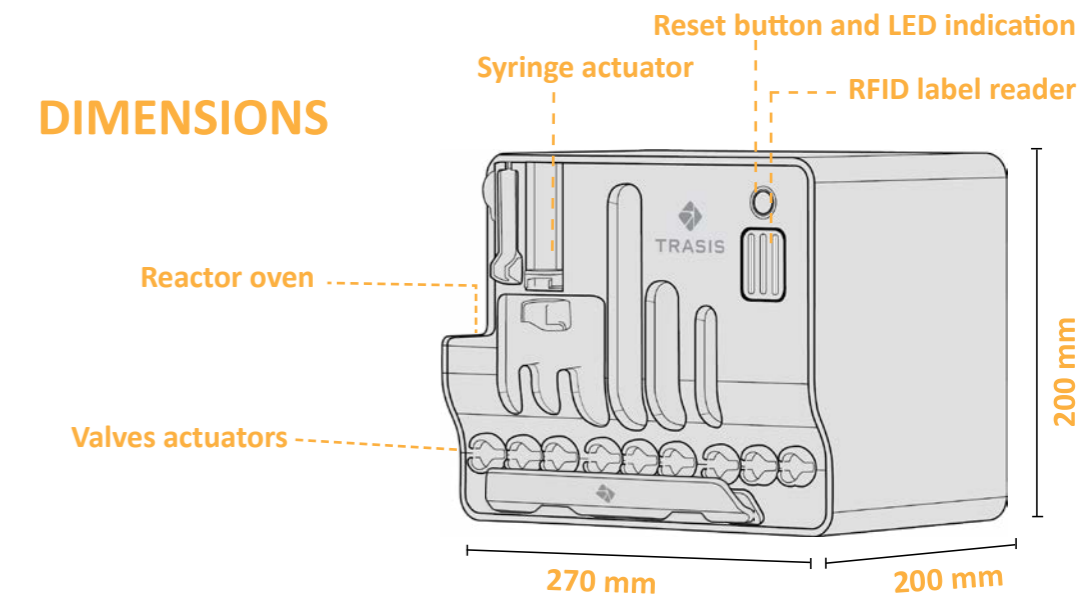
It suppresses the risk of exposure and contamination of the operator. The test result is quite instantaneous and recorded in the synthesis report.

USER-FRIENDLY INTERFACE

EASY ONE is operated through an intuitive user interface. The operator launches the synthesis in a few clicks. The status of the generator is displayed when relevant. A comprehensive production report is generated at the end of the synthesis.



DIMENSIONS



TECHNICAL SPECIFICATIONS

Compatible with all ⁶⁸Ga generators

Features	Quantity	
Syringe actuator	1	with position and pressure control
Reactor	1	Up to 120 C°
Gamma Radiation detectors	2	511 Kev [0,1;1000]mCi [0,004;37]MBq
Valves actuators	9	electrically driven
Communication		
Ethernet connection	1	
Extension ports for additional features		- Syringe driver - Valves actuators - Radiodetectors - Digital inputs and outputs

SERVICES

Customer Support

Trasis is praised for the excellence of its support services.

The support team consist of highly skilled software engineers, electro-mechanical, engineers and PhD chemists. They provide phone and online support as well as on-site interventions on short notice.

Custom Development

In support to your development, production or commercial objectives, our multidisciplinary team can design and build custom solutions that meet your specific goals. Feel free to call and discuss the topic.

Regulatory Assistance

Our consulting and technical regulatory assistance to customers includes:

- Manufacturing file, including ASMF/DMF
- Analytical method development
- Stability studies

Training

Training includes hardware and software features, best practices or process design examples which ensure an optimal understanding of your equipment. Training sessions can be performed on site, on our premises or remotely.

ABOUT TRASIS

At Trasis our primary focus is allowing the medical community to access new radiolabelled therapeutic and diagnostic substances easier and faster. For this purpose, we design, manufacture, sell and support high performance synthesizers, dose preparation equipment, their shielding and accessories. We also develop customized process, instruments and consumables. We can provide GMP Active Pharmaceutical Ingredients (API) and assist our customers with their regulatory affairs.

Our proven radiopharmaceutical expertise, coupled with our high-end instruments allows us to provide fully integrated solutions for effective tracer production and faster transition from drug development to marketing authorization. Our equipment is used worldwide in nuclear medicine departments, research centers, radiopharmaceutical production facilities and pharmaceutical companies.